

宁波世和新能源科技股份有限公司
Ningbo Shihe New Energy Technology Co., Ltd.

公 司 简 介

Company profile

地址：浙江省慈溪市新浦镇西工业区新胜路528号
ADD: NO.528, Xinsheng RD., West Industrial Area,
Xinpu Town, Cixi City, Zhejiang, P.R China

宁波世和新能源科技股份有限公司
Ningbo Shihe New Energy Technology Co., Ltd.



- **宁波世和新能源科技股份有限公司是一家创新型高新技术企业。座落于杭州湾之滨的慈溪市新浦镇西工业区，东距宁波北仑港、宁波栎社机场60公里、南临329国道、杭甬高速公路、西距杭州萧山机场120公里、北靠杭州湾跨海大桥。地理位置优越：地处沪、杭、甬经济金三角的中心地带，环境优美、交通便利。**
- **Ningbo Shihe New Energy Technology Co., Ltd. is located in west industrial area of Xinpu Town, Cixi City, which is by the side of Hangzhou Bay. To the east, Beilun Harbour and Lishe Airport of Ningbo are 60KM away; to the south, it faces No. 329 National Highway and Hangyong Expressway; to the west, it's 120KM away from Xiaoshan Airport of Hangzhou; to the north, it is near Cixi-Shanghai Hangzhou Bay Bridge. Due to such convenient transportation conditions and beautiful surroundings, the company is proud of the advantageous geographic location as the center area of the golden economy triangle Shanghai, Hangzhou and Ningbo.**

- **公司自成立以来，一直致力于光伏组件的研制、开发、生产和销售，通过了TUV和UL认证，拥有自己的专业工厂和国内外先进的技术以及专业生产设备，为各界朋友提供最为专业和高素质的服务。近年来通过我们的努力耕耘，公司各方面都有了突飞猛进的发展。产品已遍销全国各地，远销东西欧、南北美、东南亚、中东、非洲等地区。并且受到了用户的一致认可，在国内外享有较高的声誉。**
- **Ningbo Shihe New Energy Technology Co., Ltd. is manufacturing PV products, such as solar junction boxes, PV connectors and PV cables, etc. All the products with TUV and UL approved.**
- **At present, these products are sold to South-East Asia, Middle East Area, West & East Europe and South & North America. We have established business relationship with more than 30 countries. There are more than 400 workers and 500 different kinds of advanced equipments in the factory. We can design, develop, produce by ourselves.**

世和的理念 SHIHETEC Ideas


- 我们的科技理念：争做一流
 - Our technique theory: Be the best.
 - 我们的品牌理念：追求卓越
 - Our brand theory: Searching for the excellent.
 - 我们的市场理念：勇于超前
 - Our market theory: Brave to be ahead.
 - 我们的生产宗旨：以诚待人，让利于人
 - Our manufacture principle: Treat with honesty,
Be generous of profits of profile,
Serve to customer's heart.
-

产品认证 our certificate

Certificate of Compliance

Page 1 of 1

Certificate Number 220611-E344113
Report Reference E344113,2011 June 22
Issue Date 2011 July 6



Issued to: NINGBO SHIHE NEW ENERGY TECHNOLOGY CO LTD

Rongyu Hamlet Xinpu Town
Cixi, Zhejiang 315322
China


This is to certify that representative samples of Distributed Generation Power Systems Accessory Equipment - Component Photovoltaic junction boxes: Model: PV-0801A-abode, where, "a" can be "T" or "S", "b" can be "J", "Q" or "H", "c" can be "F" or "G", "d" can be "L" or "M", "e" can be "Y" or "N"

Have been investigated by Underwriters Laboratories in accordance with the Standard(s) indicated on this Certificate.

Standard(s) for Safety: USR indicates investigation to the Standard for Safety for Flat-Plate Photovoltaic Modules and Panels, UL 1703 3rd Edition, dated March 15, 2002, containing revisions through and including May 23, 2011.

Additional Information: See UL On-line Certification Directory at [WWW.UL.COM](http://www.ul.com) for additional information.

Only those products bearing the UL Recognized Component Mark should be considered as being covered by UL's Recognition and Follow-Up Service.

The UL Recognized Component Mark generally consists of the manufacturer's identification and catalog number, model number or other product designation as specified under "Marking" for the particular Recognition as published in the appropriate UL Directory. As a supplementary means of identifying products that have been produced under UL's Component Recognition Program, UL's Recognized Component Mark  may be used in conjunction with the required Recognized Marks. The Recognized Component Mark is required when specified in the UL Directory preceding the recognitions or under "Markings" for the individual recognitions.


Look for the UL Recognized Component Mark on the product

William R. Carney
Director, North American Certification Programs
Underwriters Laboratories Inc.
Any information and documentation involving UL Mark services are provided on behalf of Underwriters Laboratories Inc. (UL) or any authorized licensee of UL.
For questions, please contact a local UL Customer Service Representative at <http://www.ul.com/global/eng/pages/corporate/contact>

Certificate of Compliance

Page 1 of 1

Certificate Number 2011 06 06-E344739
Report Reference E344739-2011-06-02
Issue Date 2011-06-05



Issued to: NINGBO SHIHE NEW ENERGY TECHNOLOGY CO LTD
RONGYU HAMLET XINPU TOWN CIXI ZHEJIANG 315322 CHINA

This is to certify that representative samples of CONNECTORS FOR USE IN PHOTOVOLTAIC SYSTEMS

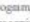
Cat. No.	Electrical Rating
Photovoltaic wiring-system connector	
DJ2011-4ab	600 V d.c, 25 A max with 12 AWG PV cable

Have been investigated by Underwriters Laboratories in accordance with the Standard(s) indicated on this Certificate.

Standard(s) for Safety: Standard for Marking and Labeling Systems, UL 969. Ordinary usage, handling, storage, and the like of the unit shall be considered in determining whether a marking is permanent.

Additional Information: See UL On-line Certification Directory at [WWW.UL.COM](http://www.ul.com) for additional information.

Only those products bearing the UL Recognized Component Mark should be considered as being covered by UL's Recognition and Follow-Up Service.

The UL Recognized Component Mark generally consists of the manufacturer's identification and catalog number, model number or other product designation as specified under "Marking" for the particular Recognition as published in the appropriate UL Directory. As a supplementary means of identifying products that have been produced under UL's Component Recognition Program, UL's Recognized Component Mark  may be used in conjunction with the required Recognized Marks. The Recognized Component Mark is required when specified in the UL Directory preceding the recognitions or under "Markings" for the individual recognitions.

Look for the UL Recognized Component Mark on the product

William R. Carney
Director, North American Certification Programs
Underwriters Laboratories Inc.
Any information and documentation involving UL Mark services are provided on behalf of Underwriters Laboratories Inc. (UL) or any authorized licensee of UL.
For questions, please contact a local UL Customer Service Representative at <http://www.ul.com/global/eng/pages/corporate/contact>

产品认证 our certificate

ZERTIFIKAT ◆ CERTIFICATE ◆ CERTIFICADO ◆ СЕРТИФИКАТ ◆ CERTIFICADO ◆ CERTIFICATE




Product Service

CERTIFICATE

No. B 090781 0013 Rev. 00

Holder of Certificate: Ningbo Shihe
New Energy Technology Co., Ltd.
Rongyu Hamlet
Xinpu Town
315322 Cixi City, Zhejiang
PEOPLE'S REPUBLIC OF CHINA

Certification Mark:



Product: Electric Cables
Electric cables for photovoltaic systems
with a voltage rating of 1,5 kV DC
62930 IEC 131 1x4mm²

Model(s):

Parameters:

Rated Voltage:	DC 1.5 kV (between conductors and between conductor and earth) AC U0/U: 1.0/1.0 kV
Application Class:	A
Protection Class:	II
Ambient Temperature:	-40°C~+90°C
Max. Temperature at conductor:	120°C

Tested according to: IEC 62930(ed.1)

The product was tested on a voluntary basis and complies with the essential requirements. The certification mark shown above can be affixed on the product. It is not permitted to alter the certification mark in any way. In addition, the certification holder must not transfer the certificate to third parties. This certificate is valid until the listed date, unless it is cancelled earlier. All applicable requirements of the testing and certification regulations of TUV SUD Group have to be complied. For details see: www.tuvsud.com/ps-cert

Test report no.: 704072131901-00
Valid until: 2027-01-06

Date, 2022-01-07



(Yaqun Alex Liu)

TUV®

Page 1 of 1
TUV SUD Product Service GmbH • Certification Body • Ridlerstraße 65 • 80339 Munich • Germany

ZERTIFIKAT ◆ CERTIFICATE ◆ CERTIFICADO ◆ СЕРТИФИКАТ ◆ CERTIFICADO ◆ CERTIFICATE




Product Service

CERTIFICATE

No. B 090781 0008 Rev. 01

Holder of Certificate: Ningbo Shihe
New Energy Technology Co., Ltd.
Rongyu Hamlet
Xinpu Town
315322 Cixi City, Zhejiang
PEOPLE'S REPUBLIC OF CHINA

Certification Mark:



Product: Connector
Connectors for Photovoltaic Systems

Model(s): DJ2011-4X(X#a or b)

Parameters:

Rated Voltage:	1500VDC
Rated Current:	45A
Application Class:	A
Protection Class:	II
Degree of Protection:	IP65/IP68 (1m, 1h)
Ambient Temperature:	-40°C~ + 85°C

Tested according to: IEC 62852:2014
IEC 62852:2014/AMD1:2020
EN 62852-2:015/A1:2020

The product was tested on a voluntary basis and complies with the essential requirements. The certification mark shown above can be affixed on the product. It is not permitted to alter the certification mark in any way. In addition, the certification holder must not transfer the certificate to third parties. This certificate is valid until the listed date, unless it is cancelled earlier. All applicable requirements of the testing and certification regulations of TUV SUD Group have to be complied. For details see: www.tuvsud.com/ps-cert

Test report no.: 704071826003-01
Valid until: 2026-07-11

Date, 2021-07-12



(Yaqun Alex Liu)

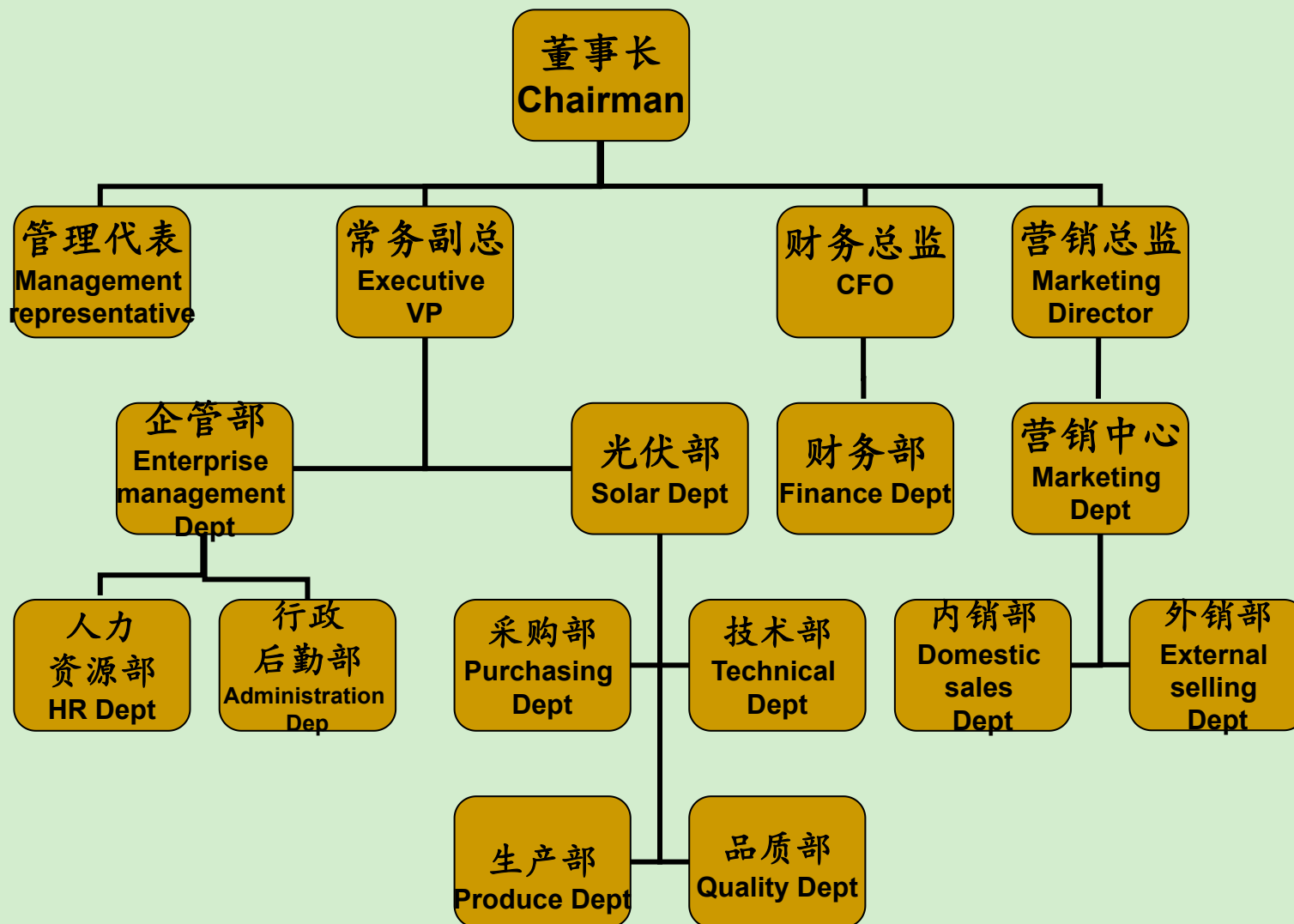
TUV®

Page 1 of 1
TUV SUD Product Service GmbH • Certification Body • Ridlerstraße 65 • 80339 Munich • Germany

体系认证 System authentication



组织架构图 SHIHE Organization chart



注塑车间 injection molding



成品仓库 warehouse



成品仓库 warehouse



检测实验室 Testing laboratory

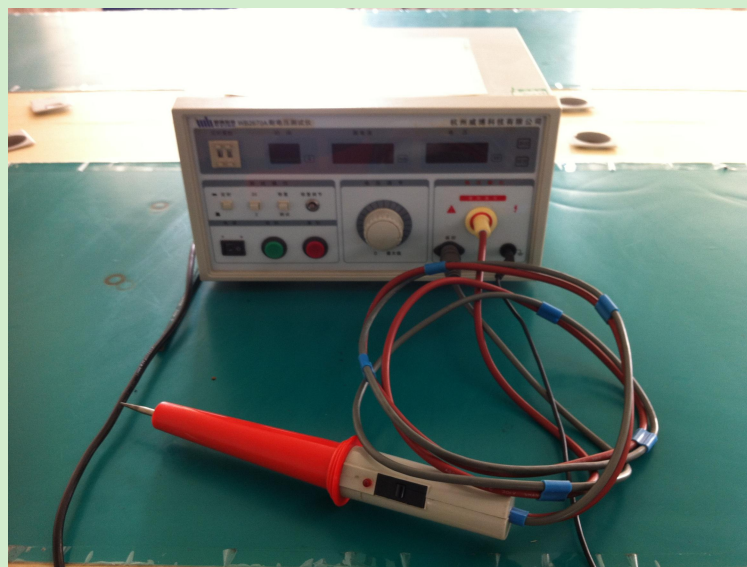


高低温交变湿热试验箱
High and low temperature
alternating heat and humidity
test chamber

盐雾腐蚀测试
Salt spray corrosion test



检测实验室 Testing laboratory

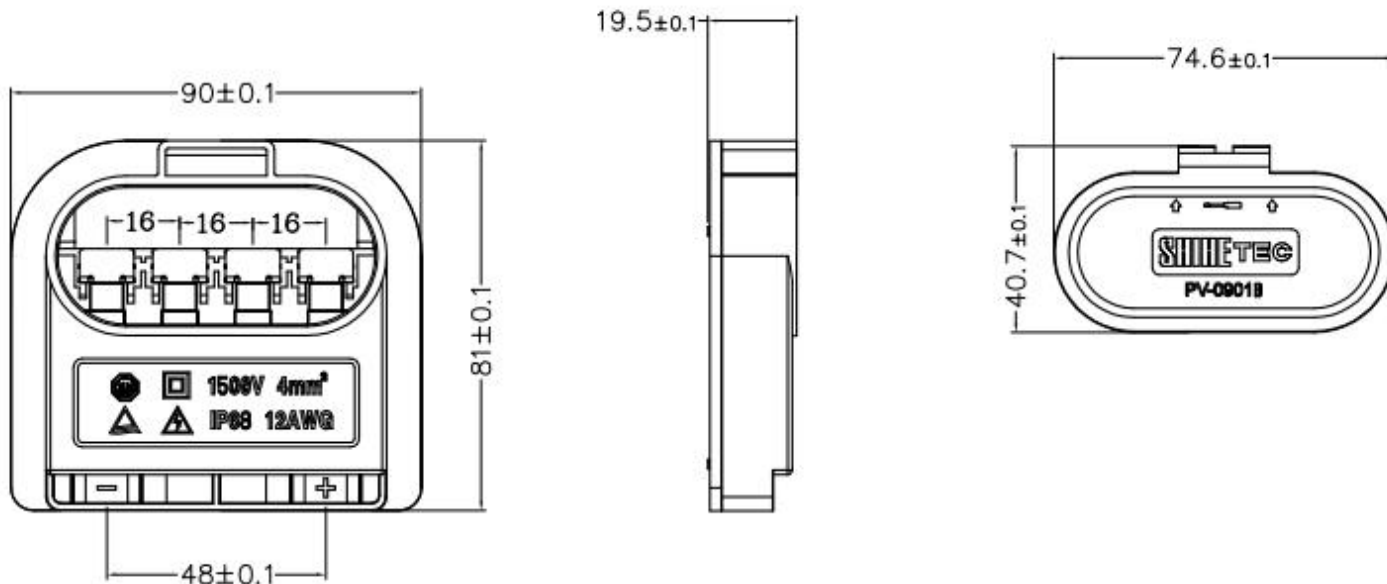


会议室 our meeting room



接线盒 Junction box TUV

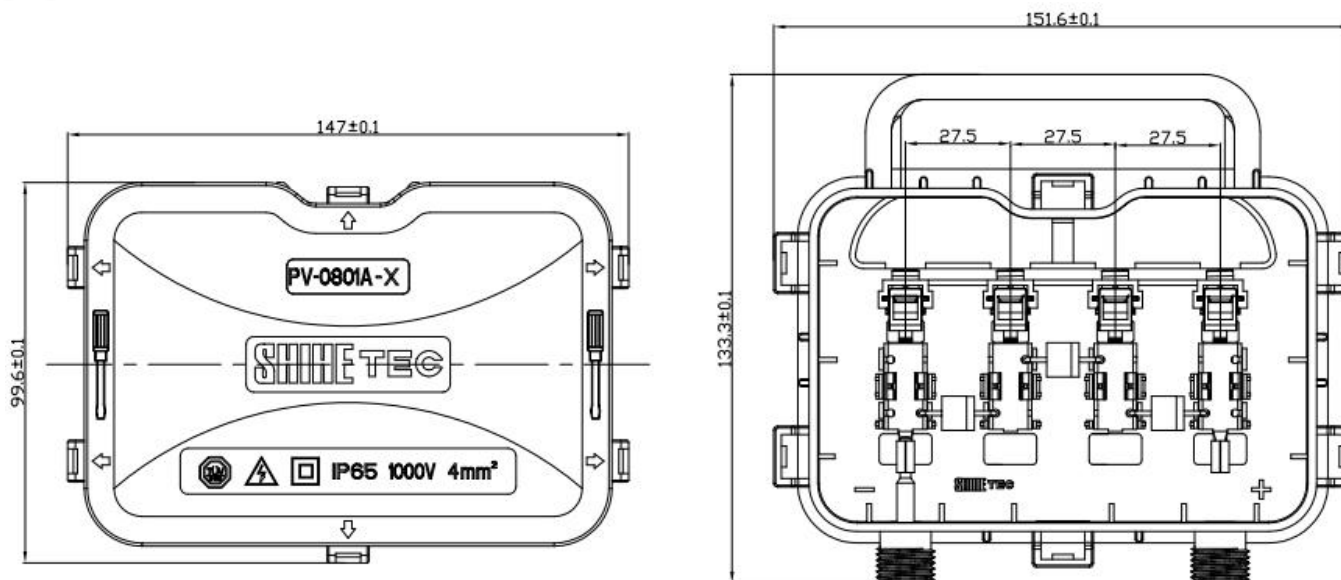
PV-0901B



● 主要技术规格	● Main technical specifications
● 最大系统电压: 1500V	● Max System Voltage: DC 1500V
● 旁路电流: 20A	● Bypass Current: 20A
● 功率范围: 230-600W	● Scope of Power: 230-600W
● 使用温度: -40~+85°C	● Ambient Temperature: -40~+85°C
● 安全等级: Class II	● Protection Class: Class II
● 防水等级: IP68	● Waterproof grade: IP68
● 连接线规格: 4mm ²	● Connection line specification: 4mm ²
● 二极管型号及数量: 40SQ045/3R	● diode model No. and QTY: 40SQ045/3R
● 连接器兼容: DJ2011-4 MC4 Amphenol H4	● Connector compatibility: DJ2011-4 MC4 Amphenol H4

接线盒 Junction box TUV

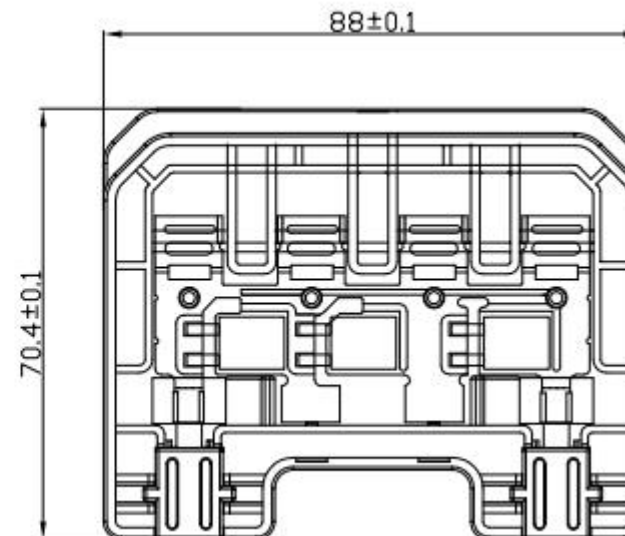
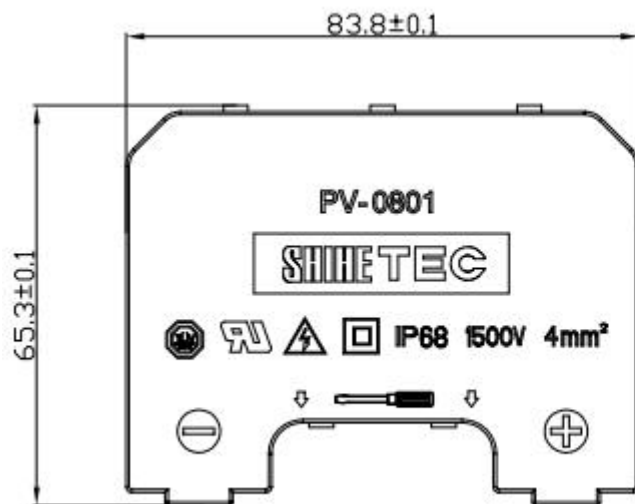
PV-0801A-X



● 主要技术规格	● Main technical specifications
● 最大系统电压: 1000V	● Max System Voltage: DC 1000V
● 旁路电流: 13A	● Bypass Current: 13A
● 功率范围: 230-420W	● Scope of Power: 230-420W
● 使用温度: -40~+85°C	● Ambient Temperature: -40~+85°C
● 安全等级: Class II	● Protection Class: Class II
● 防水等级: IP65	● Waterproof grade: IP65
● 连接线规格: 4mm ²	● Connection line specification: 4mm ²
● 二极管型号及数量: 20SQ045/3R	● diode model No. and QTY: 20SQ045/3R
● 连接器兼容: DJ2011-4 MC4 Amphenol H4	● Connector compatibility: DJ2011-4 MC4 Amphenol H4

接线盒 Junction box TUV

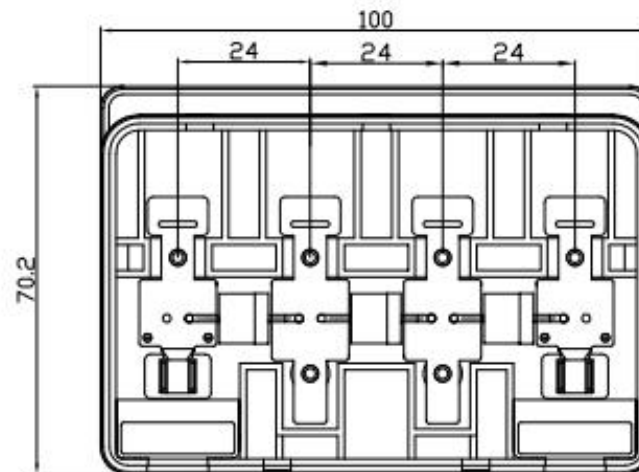
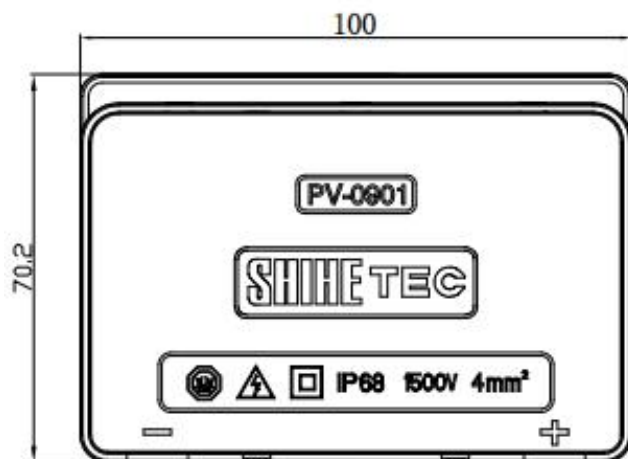
PV-0801



● 主要技术规格	● Main technical specifications
● 最大系统电压: 1500V	● Max System Voltage: DC 1500V
● 旁路电流: 13A -15A	● Bypass Current: 13A -15A
● 功率范围: 230-460W	● Scope of Power: 230-460W
● 使用温度: -40~+85°C	● Ambient Temperature: -40~+85°C
● 安全等级: Class II	● Protection Class: Class II
● 防水等级: IP68	● Waterproof grade: IP68
● 连接线规格: 4mm ²	● Connection line specification: 4mm ²
● 二极管型号及数量: SH2045/3R-SH3045/3R	● diode model No. and QTY: SH2045/3R-SH3045/3R
● 连接器兼容: DJ2011-4 MC4 Amphenol H4	● Connector compatibility: DJ2011-4 MC4 Amphenol H4

接线盒 Junction box TUV

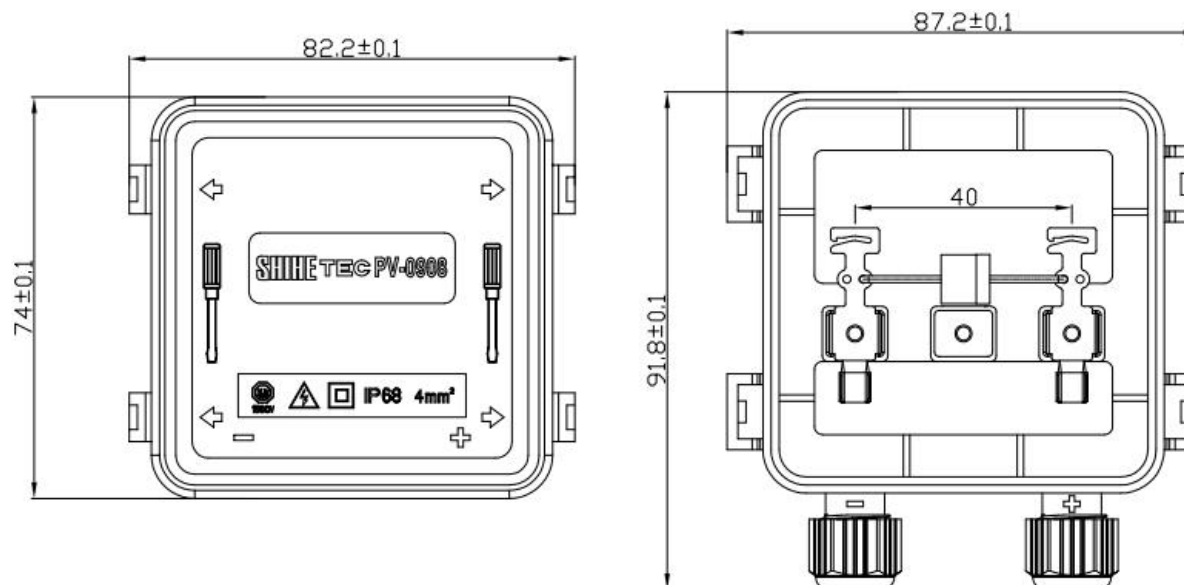
PV-0901



● 主要技术规格	● Main technical specifications
● 最大系统电压: 1500V	● Max System Voltage: DC 1500V
● 旁路电流: 13A-15A	● Bypass Current: 13A-15A
● 功率范围: 230-460W	● Scope of Power: 230-460W
● 使用温度: -40~+85°C	● Ambient Temperature: -40~+85°C
● 安全等级: Class II	● Protection Class: Class II
● 防水等级: IP68	● Waterproof grade: IP68
● 连接线规格: 4mm ²	● Connection line specification: 4mm ²
● 二极管型号及数量: 20SQ045/3R-30SQ045/3R	● diode model No. and QTY: 20SQ045/3R-30SQ045/3R
● 连接器兼容: DJ2011-4 MC4 Amphenol H4	● Connector compatibility: DJ2011-4 MC4 Amphenol H4

接线盒 Junction box TUV

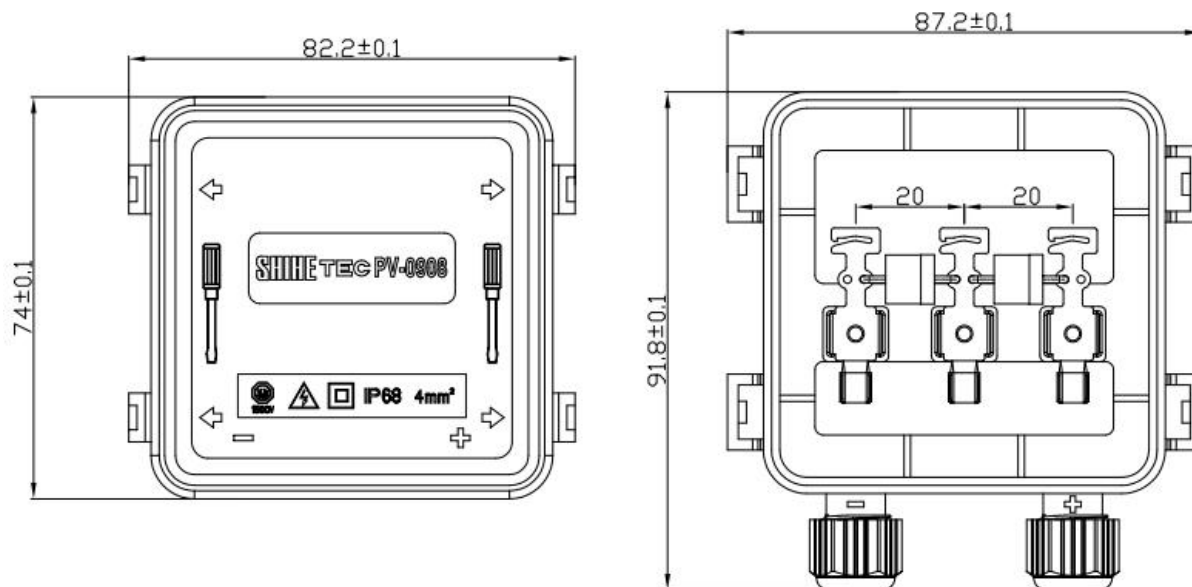
PV-0908-1



● 主要技术规格	● Main technical specifications
● 最大系统电压: 1500V	● Max System Voltage: DC 1500V
● 旁路电流: 8A	● Bypass Current: 8A
● 功率范围: 40-180W	● Scope of Power: 40-180W
● 使用温度: -40~+85°C	● Ambient Temperature: -40~+85°C
● 安全等级: Class II	● Protection Class: Class II
● 防水等级: IP68	● Waterproof grade: IP68
● 连接线规格: 2.5-4mm ²	● Connection line specification: 2.5-4mm ²
● 二极管型号及数量: 10A10/1R	● diode model No. and QTY: 10A10/1R
● 连接器兼容: DJ2011-4 MC4 Amphenol H4	● Connector compatibility: DJ2011-4 MC4 Amphenol H4

接线盒 Junction box TUV

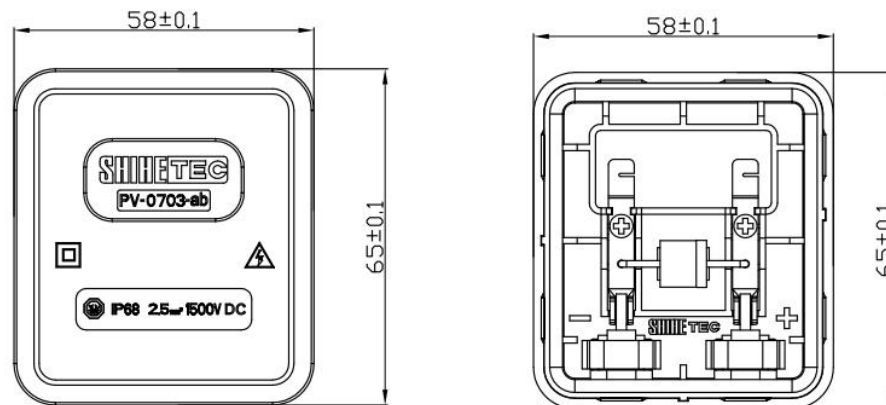
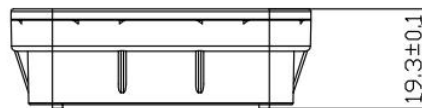
PV-0908-2



● 主要技术规格	● Main technical specifications
● 最大系统电压: 1500V	● Max System Voltage: DC 1500V
● 旁路电流: 13A	● Bypass Current: 13A
● 功率范围: 60-300W	● Scope of Power: 60-300W
● 使用温度: -40~+85°C	● Ambient Temperature: -40~+85°C
● 安全等级: Class II	● Protection Class: Class II
● 防水等级: IP68	● Waterproof grade: IP68
● 连接线规格: 2.5-4mm ²	● Connection line specification: 2.5-4mm ²
● 二极管型号及数量: 15SQ045/2R	● diode model No. and QTY: 15SQ045/2R
● 连接器兼容: DJ2011-4 MC4 Amphenol H4	● Connector compatibility: DJ2011-4 MC4 Amphenol H4

接线盒 Junction box TUV

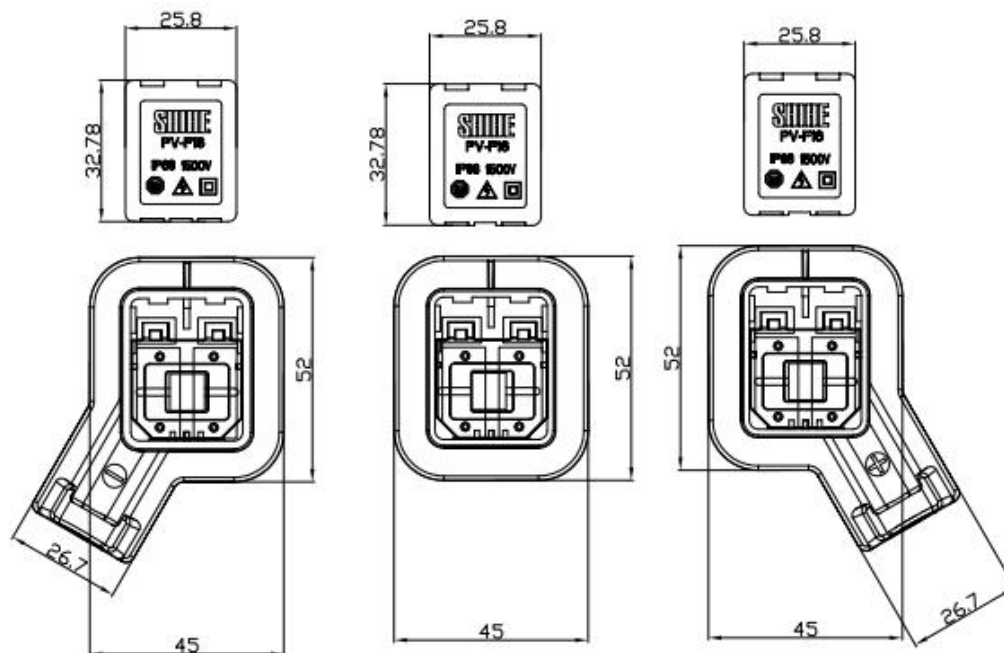
PV-0703ab



● 主要技术规格	● Main technical specifications
● 最大系统电压: 1500V	● Max System Voltage: DC 1500V
● 旁路电流: 8A	● Bypass Current: 8A
● 功率范围: 60-160W	● Scope of Power: 60-160W
● 使用温度: -40~+85°C	● Ambient Temperature: -40~+85°C
● 安全等级: Class II	● Protection Class: Class II
● 防水等级: IP68	● Waterproof grade: IP68
● 连接线规格: 2.5-4mm ²	● Connection line specification: 2.5-4mm ²
● 二极管型号及数量: 10A10/1R	● diode model No. and QTY: 10A10/1R
● 连接器兼容: DJ2011-4 MC4 Amphenol H4	● Connector compatibility: DJ2011-4 MC4 Amphenol H4

接线盒 Junction box TUV

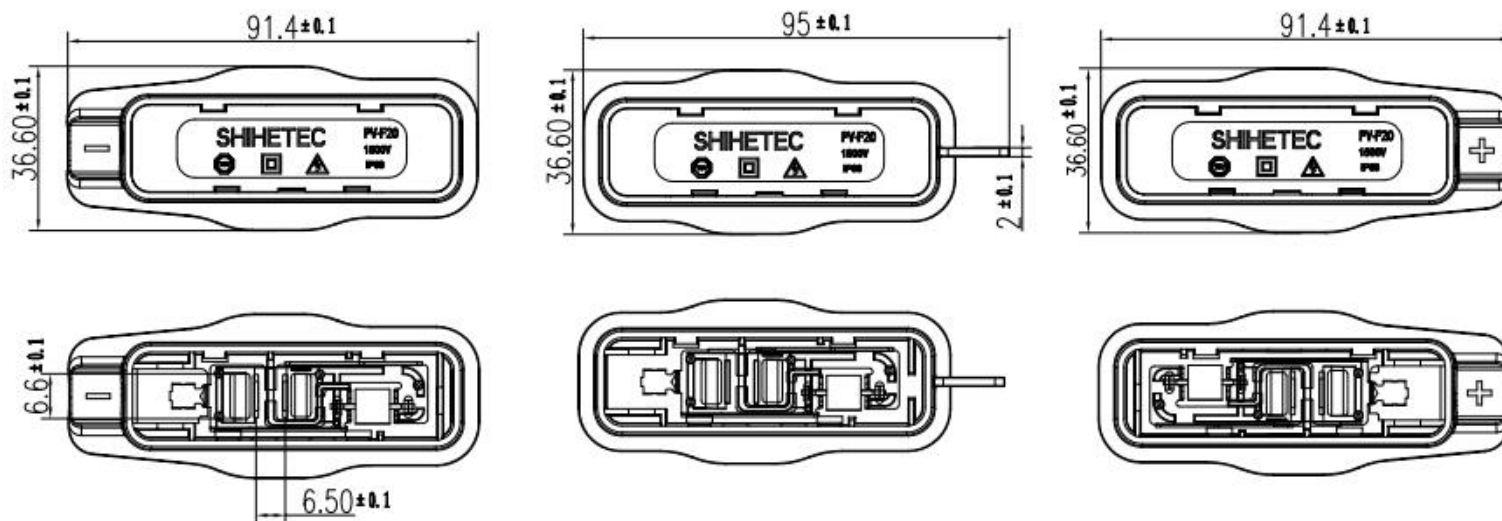
PV-F16



● 主要技术规格	● Main technical specifications
● 最大系统电压: 1500V	● Max System Voltage: DC 1500V
● 旁路电流: 15A	● Bypass Current: 15A
● 功率范围: 280-550W	● Scope of Power: 280-550W
● 使用温度: -40~+85°C	● Ambient Temperature: -40~+85°C
● 安全等级: Class II	● Protection Class: Class II
● 防水等级: IP68	● Waterproof grade: IP68
● 连接线规格: 4mm ²	● Connection line specification: 4mm ²
● 二极管型号及数量: 20SQ045/3R	● diode model No. and QTY: 20SQ045/3R
● 连接器兼容: DJ2011-4 MC4 Amphenol H4	● Connector compatibility: DJ2011-4 MC4 Amphenol H4

接线盒 Junction box TUV

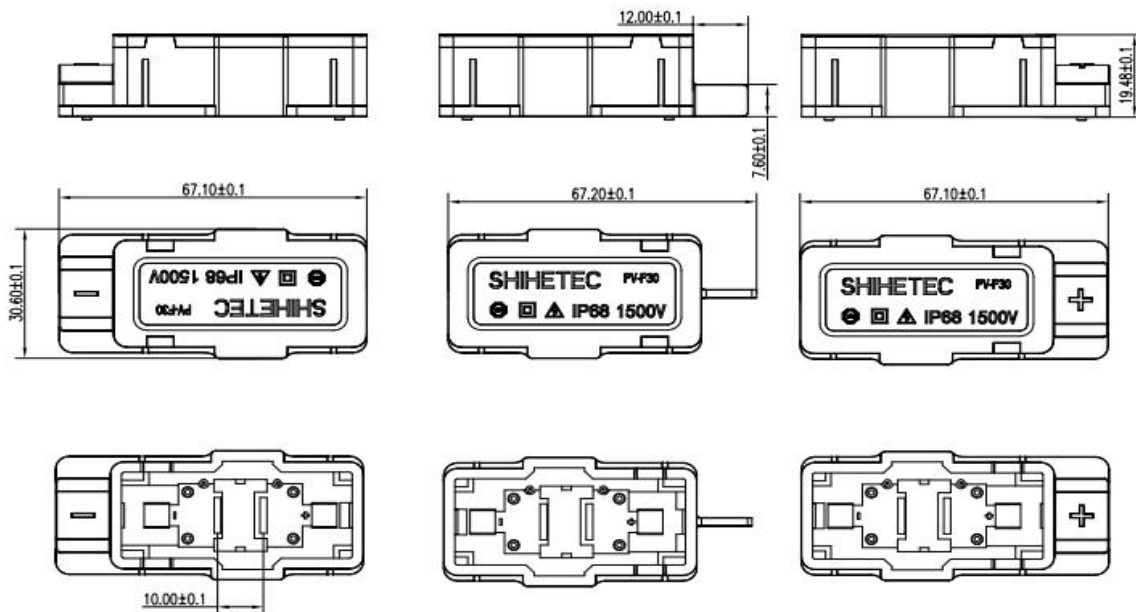
PV-F20



● 主要技术规格	● Main technical specifications
● 最大系统电压: 1500V	● Max System Voltage: DC 1500V
● 旁路电流: 18A	● Bypass Current: 18A
● 功率范围: 280-550W	● Scope of Power: 280-550W
● 使用温度: -40~+85°C	● Ambient Temperature: -40~+85°C
● 安全等级: Class II	● Protection Class: Class II
● 防水等级: IP68	● Waterproof grade: IP68
● 连接线规格: 4mm ²	● Connection line specification: 4mm ²
● 二极管型号及数量: 30SQ045/3R	● diode model No. and QTY: 30SQ045/3R
● 连接器兼容: DJ2011-4 MC4 Amphenol H4	● Connector compatibility: DJ2011-4 MC4 Amphenol H4

接线盒 Junction box TUV

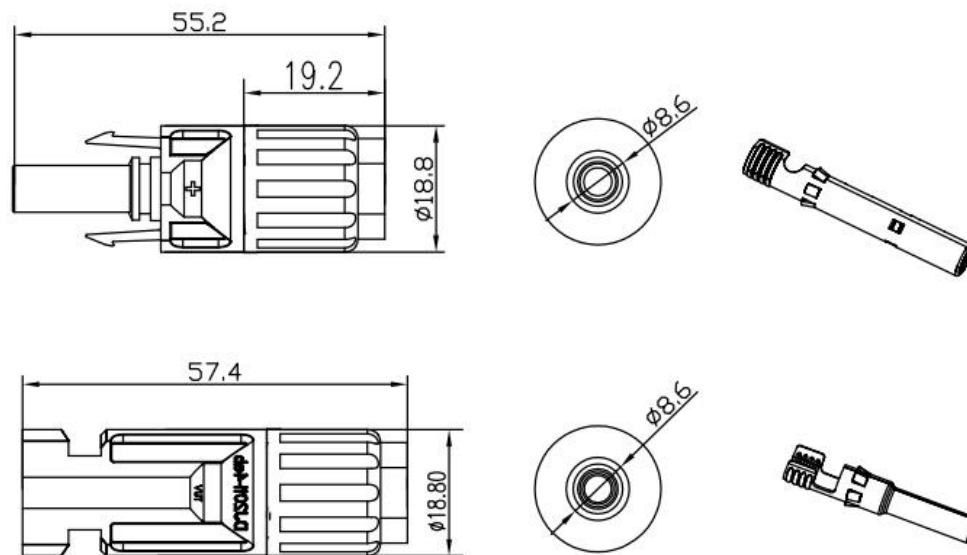
PV-F30



● 主要技术规格	● Main technical specifications
● 最大系统电压: 1500V	● Max System Voltage: DC 1500V
● 旁路电流: 20A-25A-30A	● Bypass Current: 20A-25A-30A
● 功率范围: 280-650W	● Scope of Power: 280-650W
● 使用温度: -40~+85°C	● Ambient Temperature: -40~+85°C
● 安全等级: Class II	● Protection Class: Class II
● 防水等级: IP68	● Waterproof grade: IP68
● 连接线规格: 4mm ²	● Connection line specification: 4mm ²
● 二极管型号及数量: 30M45/3R-40M45/3R	● diode model No. and QTY: 30M045/3R-40M45/3R
● 连接器兼容: DJ2011-4 MC4 Amphenol H4	● Connector compatibility: DJ2011-4 MC4 Amphenol H4

连接器 Connector TUV UL

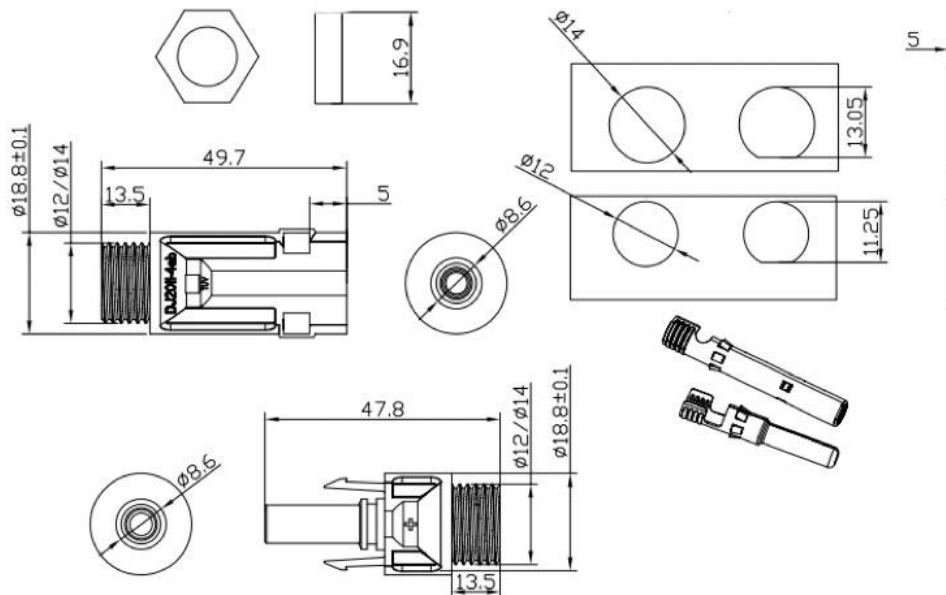
DJ2011-4X



● 主要技术规格	● Main technical specifications
● 最大系统电压: 1500V	● Max System Voltage: DC 1500V
● 旁路电流: 45A	● Bypass Current: 45A
● 线缆范围: 2.5-6mm ²	● Cable range: 2.5-6mm ²
● 使用温度: -40~+85°C	● Ambient Temperature: -40~+85°C
● 安全等级: Class II	● Protection Class: Class II
● 防水等级: IP68	● Waterproof grade: IP68
● 绝缘材料: PV40Z/PPO/PC/PA(黑色)	● Insulation Mateial: PV40Z/ PPO/PC/PA (Black)
● 阻燃等级: UL94-V0	● Flame Retardant Class: UL94-V0

面板连接器 Faceplate Connector TUV UL

DJ2011-4X



● 主要技术规格	● Main technical specifications
● 最大系统电压: 1500V	● Max System Voltage: DC 1500V
● 旁路电流: 25A-45A	● Bypass Current: 25A-45A
● 线缆范围: 2.5-6mm ²	● Cable range: 2.5-6mm ²
● 使用温度: -40~+85°C	● Ambient Temperature: -40~+85°C
● 安全等级: Class II	● Protection Class: Class II
● 防水等级: IP68	● Waterproof grade: IP68
● 绝缘材料: PPO/PC/PA(黑色)	● Insulation Material: PPO/PC/PA (Black)
● 阻燃等级: UL94-V0	● Flame Retardant Class: UL94-V0

光伏线缆 Cables TUV

SH 4m²

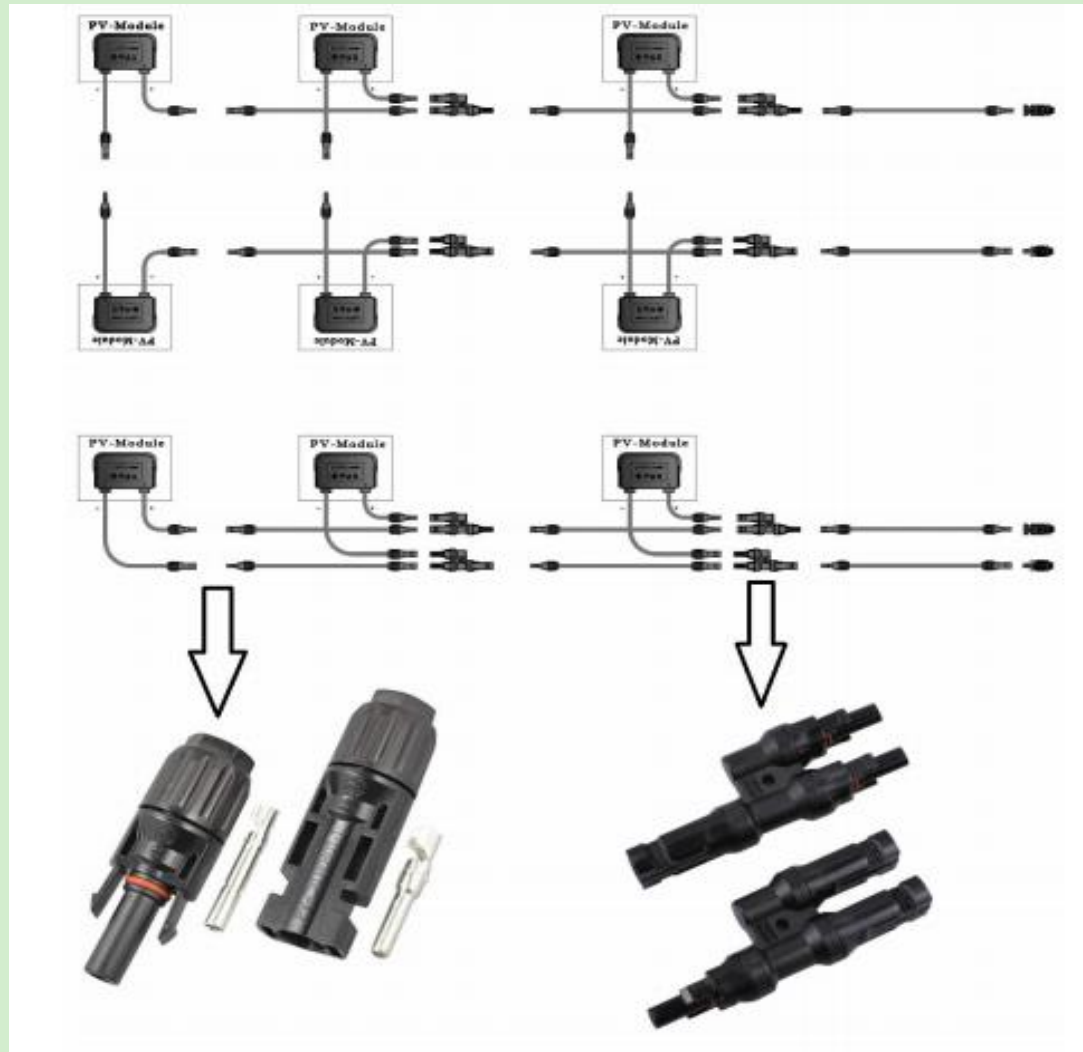
Solar Cables



● 主要技术规格	● Main technical specifications
● 导体结构尺寸: TXR 56/0.280	● Conductor structure size: TXR 56/0.280
● 护套外径: 6.1 ± 0.15	● Outer diameter of sheath: 6.1 ± 0.15
● 绝缘标称外径: 3.9 ± 0.15	● Nominal outer diameter of insulation: 3.9 ± 0.15
● 20 ° C最大导体电阻: $\leq 5.09 \Omega/\text{km}$	● Insulation nominal outer diameter 20 ° C maximum conductor resistance: $\leq 5.09 \Omega/\text{km}$
● 工频电压: AC 6.5kv/5min	● Power frequency voltage: AC 6.5kv/5min
● 抗拉伸: N/mm ≥ 8.0	● Tensile strength: N/mm ≥ 8.0
● 断裂延长率: % ≥ 125	● Elongation at break: % ≥ 125

系统安装示意图

system installation scheme



公司荣誉 Company Honor



真诚期待与您开展良好合作！

Sincerely look forward to a good
cooperation with you!

感谢您的观看！

Thank you for watching!

Website: www.shihepv.com

E-mail: shihetec@126.com

Tel: 0086-13805858483